

Dear Valued Customer,

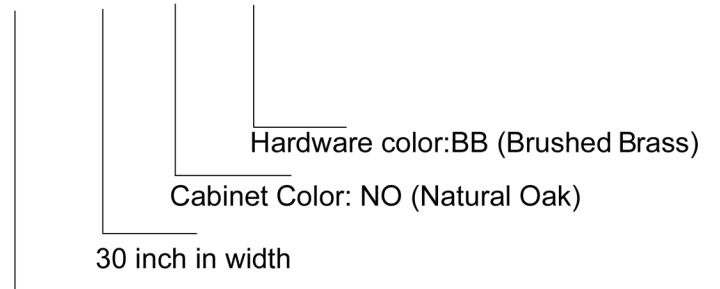


Brunswick			
SKU NO.	A represents different wood colors as follows	B represents different hardware colors as follows	SIZE
BVB-30-A-B			30
BVB-36-A-B	WH: White WO: White Washed Oak WN: Walnut NO: Natural Oak	BK: Black CH: Chrome BB: Brushed Brass	36
BVB-48-A-B			48
BVB-60-A-B			60

Here is an example for SKU NO.:

BVB - 30 - A - B

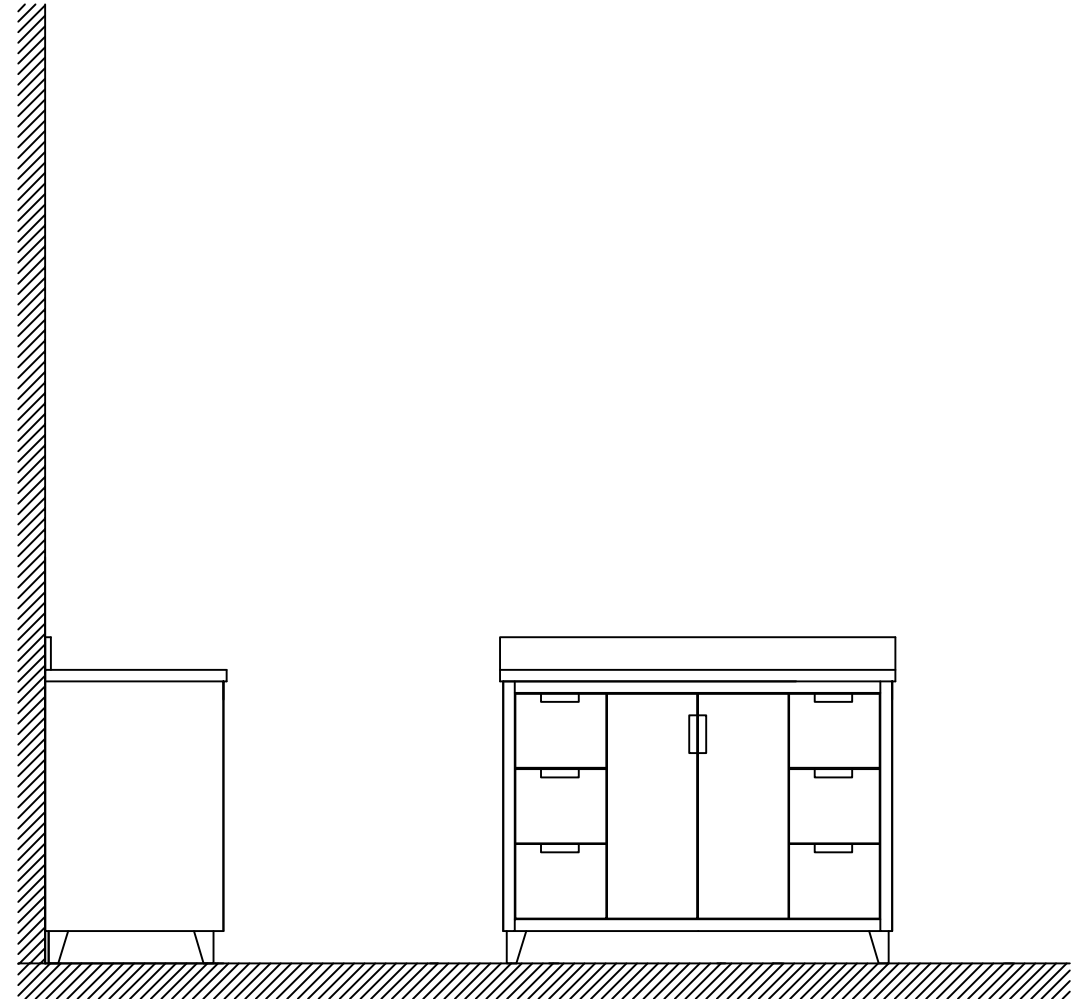
BVB - 30 - NO - BB



Collection Name

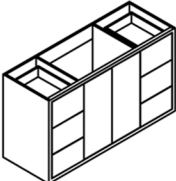
Thank you for choosing our Brunswick vanity. This product needs install handles and Legs

- Prior to installation please check received items against the Packing List .If any part is missing or damaged, please do not return the product to the store and contact us;
Call: 800-498-4042
Email: info@bellousa.com
- Protect all surfaces from sharp objects , high heat sources,direct prolonged sunlight and chemical hazards .
- Professional installation is recommended !

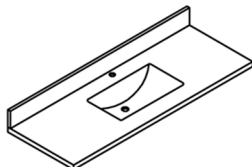


PACKING LIST

A Main Vanity
1 PC

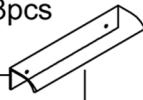


B W/Sink
1 PC



C Handle

30": 4x3pcs
36": 5x3pcs
48": 8x3pcs
60": 8x3pcs


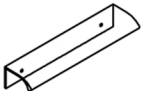


Type 1

COLOR: BB/CH/BK

D Handle Screw


30": 8pcs
36": 10pcs
48": 16pcs
60": 16pcs

ST4 x 12

E Leg


30": 4x3pcs
36": 4x3pcs
48": 5x3pcs
60": 5x3pcs



COLOR: BB/CH/BK

F Leg Screw


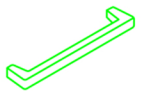
30": 16pcs
36": 16pcs
48": 20pcs
60": 20pcs



ST5 x 20

G Handle Screw


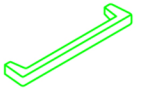
30": 6pcs
36": 6pcs
48": 12pcs
60": 12pcs

M4 x 40

H Handle Screw

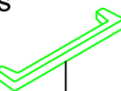
30": 2pcs
36": 4pcs
48": 4pcs
60": 4pcs

M4 x 25

I Handle

30": 4x3pcs
36": 5x3pcs
48": 8x3pcs
60": 8x3pcs

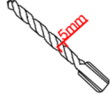


Type 2

COLOR: BB/CH/BK


TOOLS REQUIRED

Drill Bits




Ø1/5" (5mm)dia.
HSS


Screw Driver



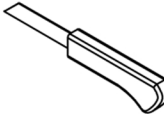
Drill




Level




Knife



Glove



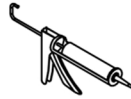
Pencil




Safety Glasses



Silicone



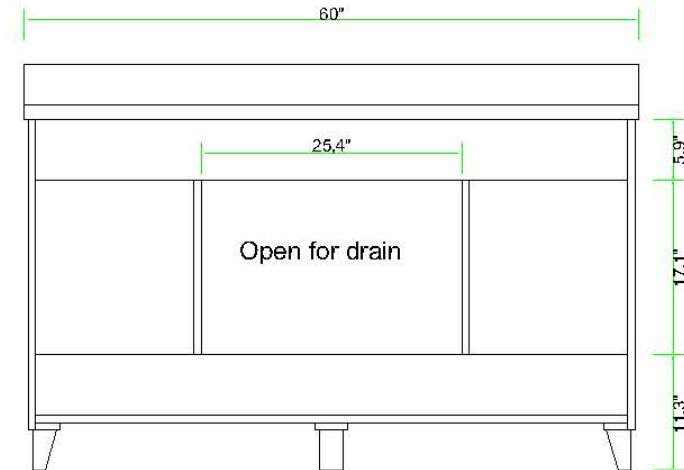
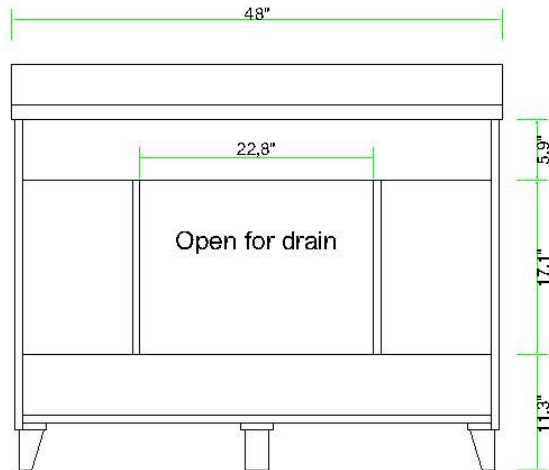
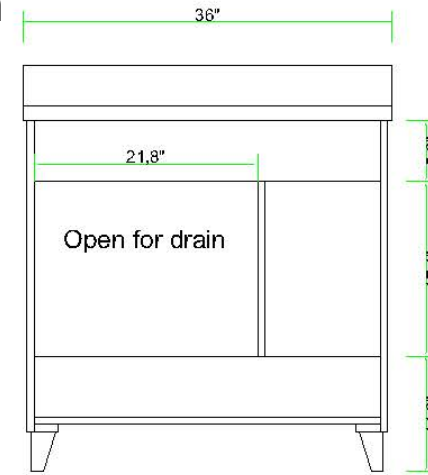
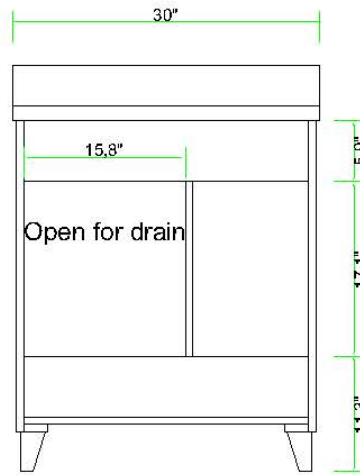
Measuring Tape



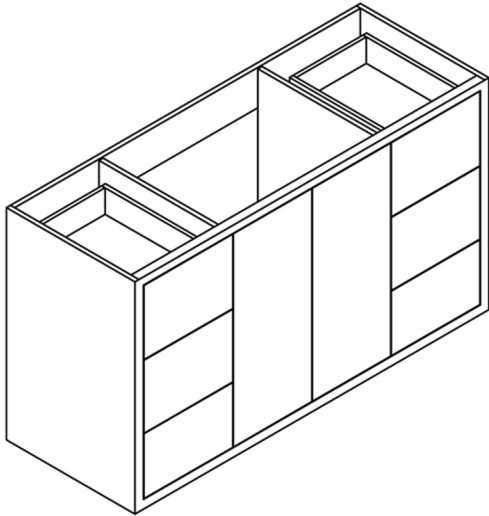
Soft Head Hammer




**The Reference position for backside
Cutout info for drain**



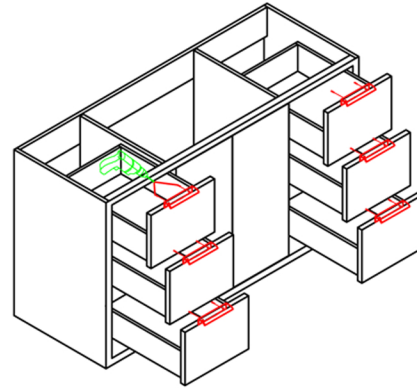
STEP 1



STEP 2

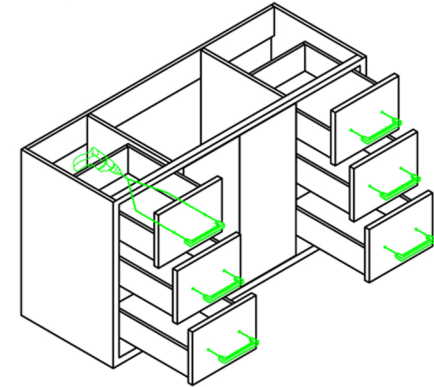
Install handles

Type 1



Handle Screw ST4 x 20

Type 2

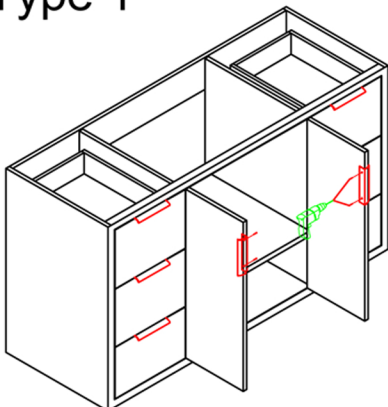


Handle Screw M4 x 40

STEP 3

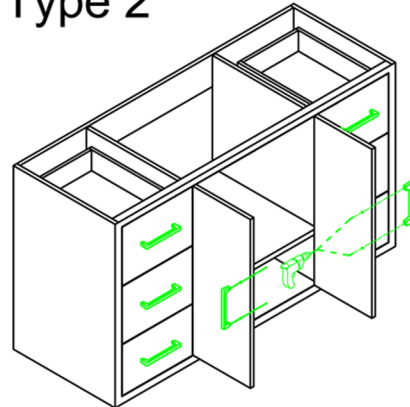
Install handles

Type 1



Handle Screw ST4 x 12

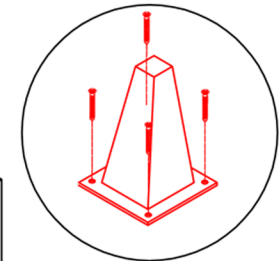
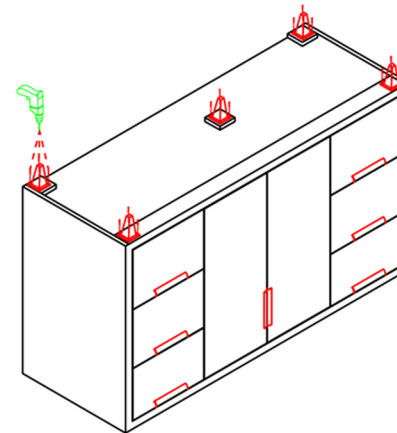
Type 2



Handle Screw M4 x 25

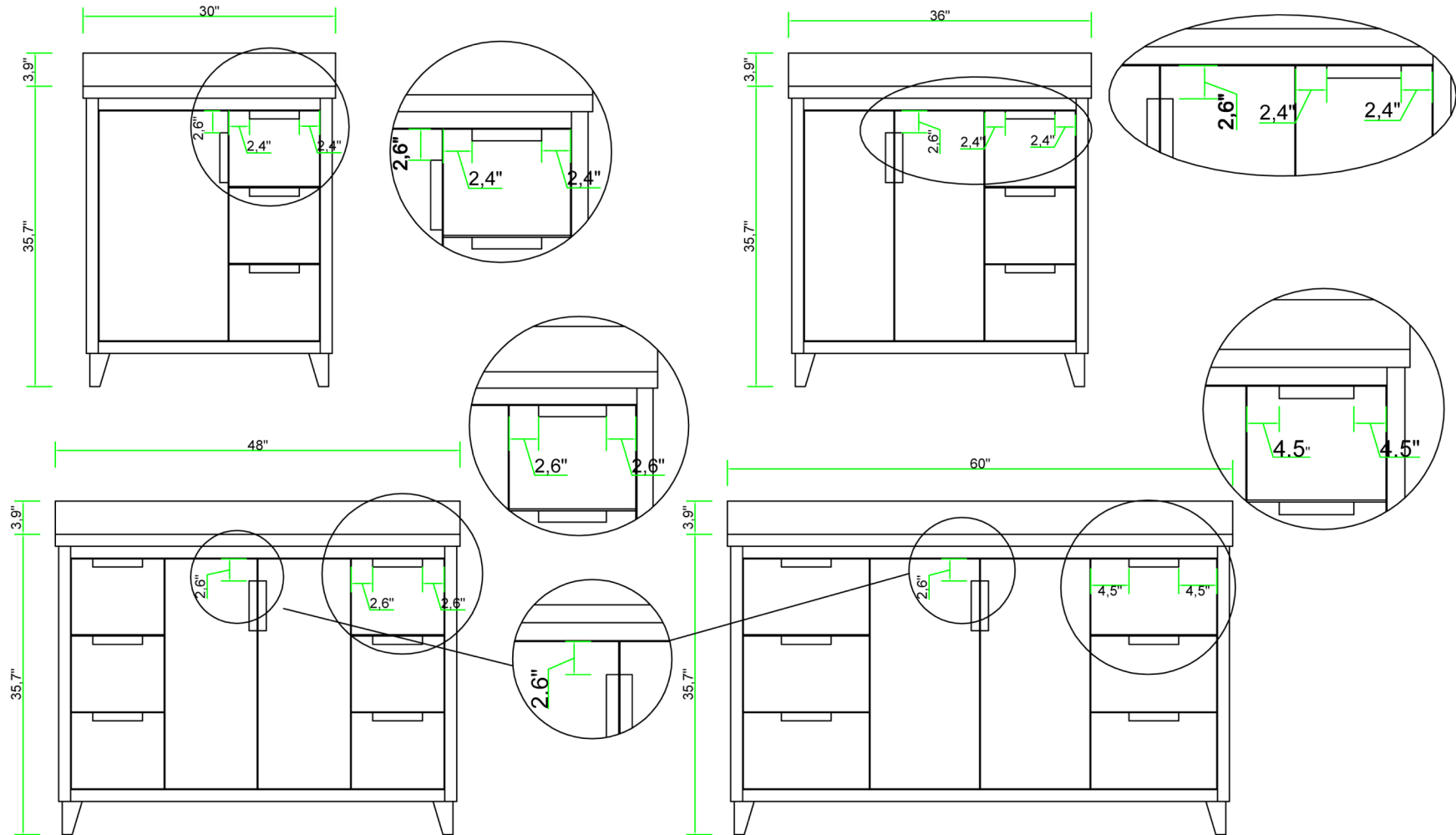
STEP 4

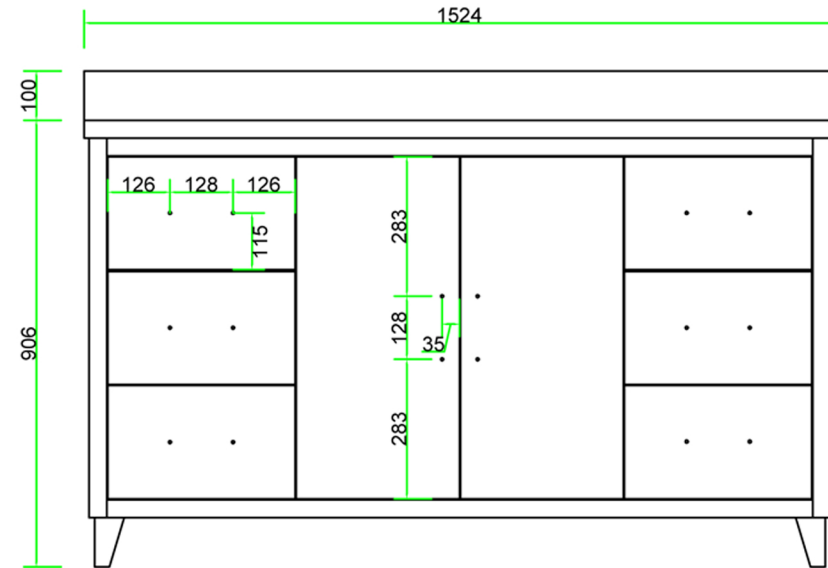
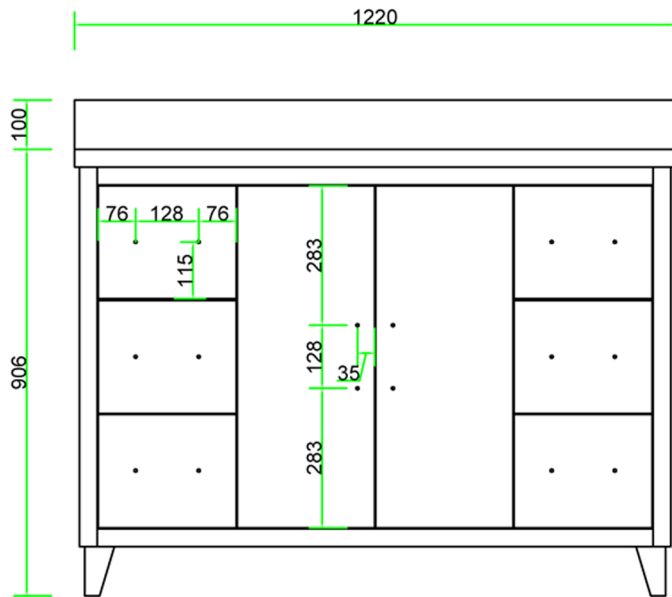
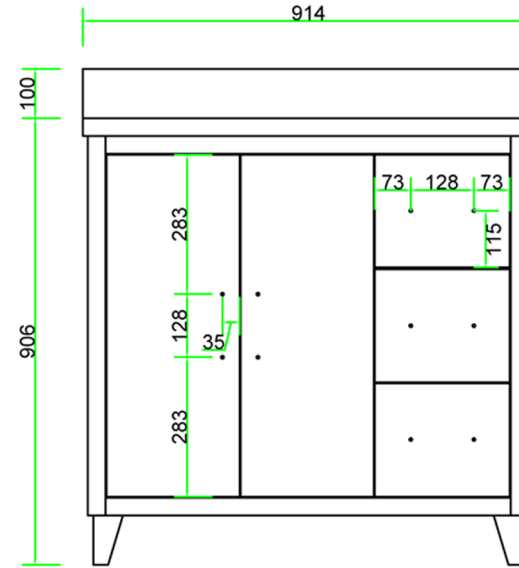
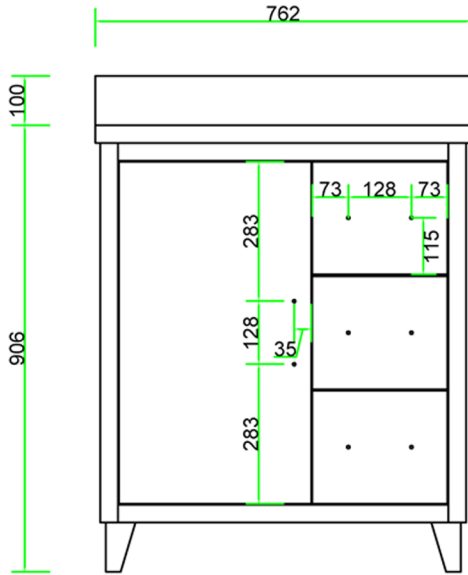
Install Legs



INSTALL PROCESS & INSTRUCTIONS

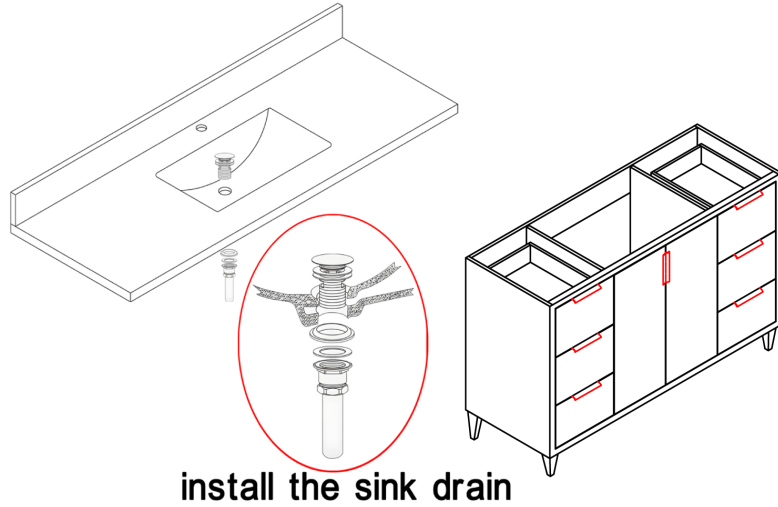
Handle location info



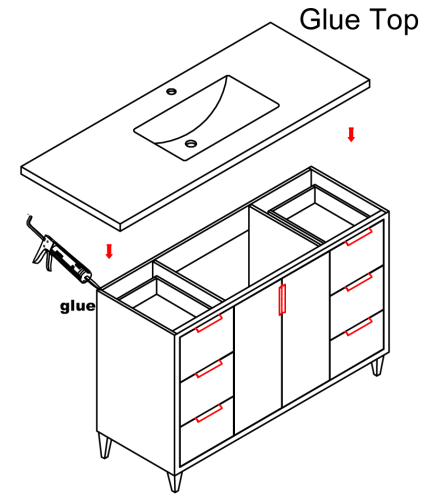


INSTALL PROCESS & INSTRUCTIONS

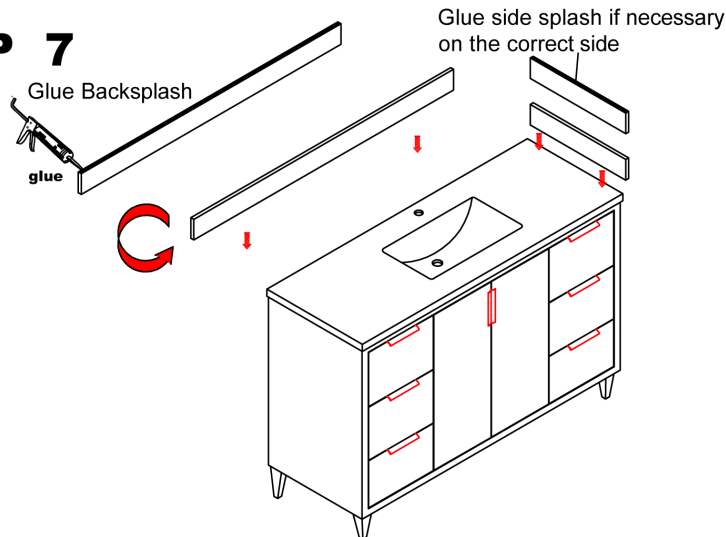
STEP 5



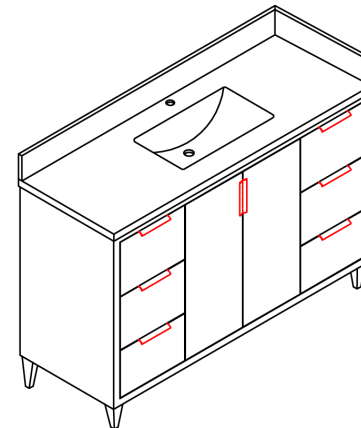
STEP 6



STEP 7



STEP 8



 24H!
Dry Time
Clean Glue