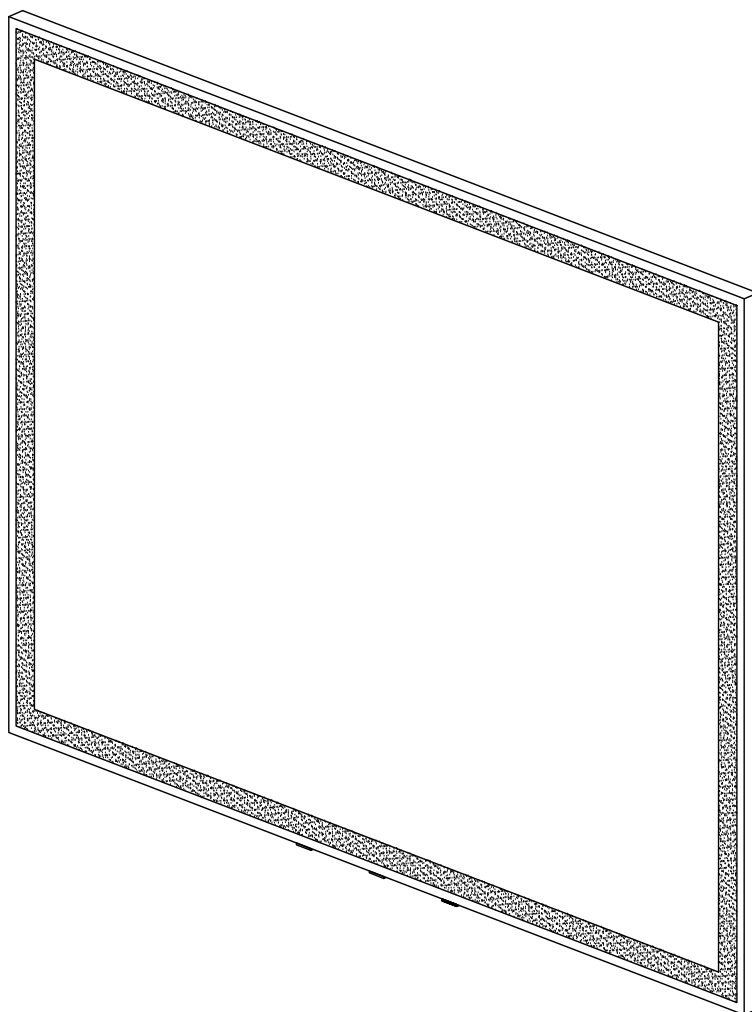


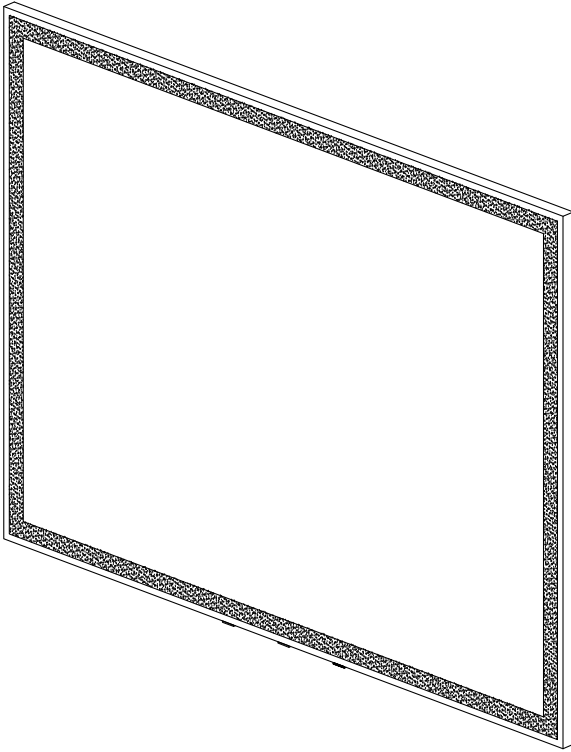
# Installation and Operating Manual

V25 R1.0 -13



**For Technical support or questions, please call us.**

## Model Specification



- **Color Temperature:3000-6000K**
- **Dimming**
- **Anti Fog**
- **Power Off Memory**

No.	SKU	Dimension	Finish	Remark
1	BMD4-2836-BK	28" X 36"	Black	
2	BMD4-2836-BB	28" X 36"	Brushed Brass	
3	BMD4-3040-BK	30" X 40"	Black	
4	BMD4-3040-BB	30" X 40"	Brushed Brass	
5	BMD4-4836-BK	48" X 36"	Black	
6	BMD4-4836-BB	48" X 36"	Brushed Brass	

## **WARNING AND SAFETY INSTRUCTIONS**

Before assembling your LED Lighted Mirror fixture, please make sure that you carefully read through this instruction sheet, refer back to them during installation to ensure your product is fitted safely and correctly. Keep these instructions for future use.

### **WARNING Risk of Fire and Electric Shock**

- All fittings must be installed in accordance with current IEE wiring regulations. If in doubt, consult a qualified electrician.
- Switch off the electrical supply at the main circuit board BEFORE installation and maintenance.
- Suitable for indoor use only. This product should be positioned well away from curtains and fabrics. Never cover the mirror.
- Regularly check the cord, the transformer and all other parts for damage. If any part is damaged the product should not be used.

## **INSTALLATION SAFETY**

- Inspect the product immediately upon receipt for the transit damage or missing parts. Handle the product with care and protect against knocks to all sides and edges of the glass.
- Ensure there are no hidden pipes or cables in the wall before drilling.
- Wear suitable eye protection when drilling. Take care if drilling on tiled surfaces in case the drill slips.



### **CAUTION**

The light source of this product is non-changeable light diodes (LED). Do not disassemble the product, as the light diodes can cause damage to the eyes.

**NOTE:** The important safeguards and instructions that appear in this manual are not meant to cover all possible conditions and situations that may occur. It must be understood that common sense, caution and care, are factors that can't be built into any product. These factors must be supplied by the person(s) caring for and operating the fixture. Do not install this fixture in hazardous locations.

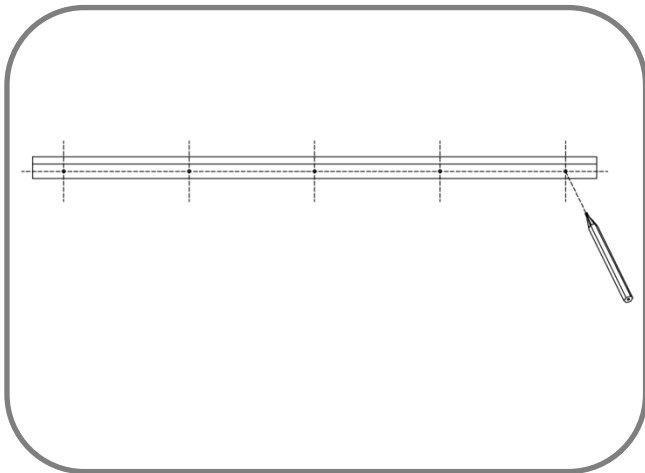
## CHECK PRODUCT LIST AFTER OPENING THE PACKAGE

- LED Lighted Mirror            --1    pce
- Screw                                --3~6   pcs
- Expansion Tube                --3~6   pcs
- Installation Manual            --1    pce
- Z-Bar                                --1    pce

## TOOLS YOU MAY NEED

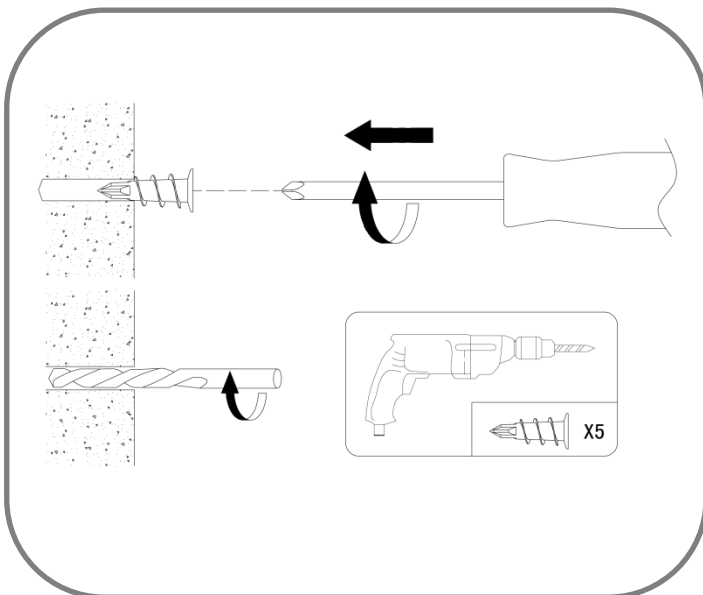


## INSTALLATION MANUAL



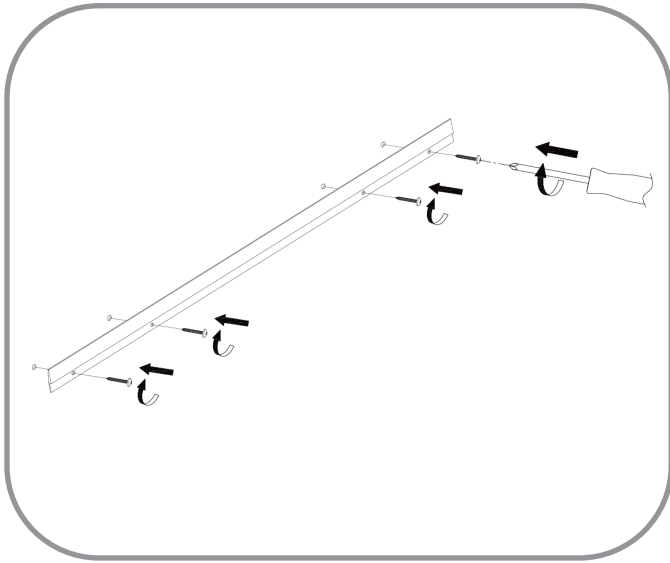
1

- Measure the center of the holes and mark the drilling locations.
- Ensure markings are leveled.



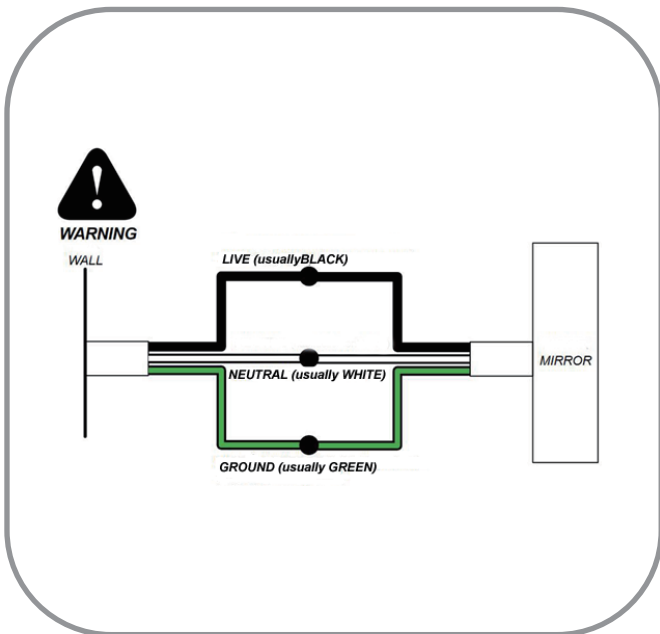
2

- Using a drill, make holes and fill with supplied wall plugs.



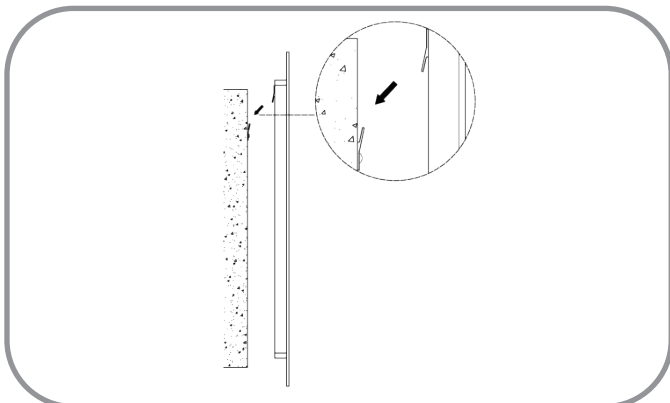
3

- Align the mounting bracket with the wall plug hole and screw the bracket to the wall.



4

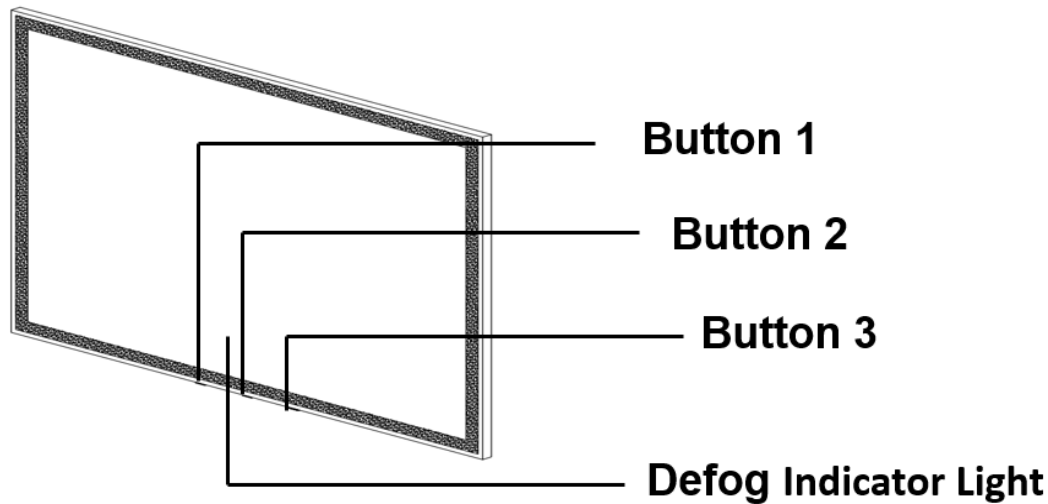
- Connect to electrical wiring if using wall switch.
- ATTENTION: Please cut off the main power supply before wiring!



5

- Place the mirror against the wall and slide down as shown in image.

## Operating Manual



### ● Setting the light & Defogger

The buttons turn blue when connected to the main power supply and turn white after a brief touch. Optional to be wired to wall switch by ON/OFF memory function.

#### Button 1

- Briefly touch the button to control on/off the light and illumination modes.
- The first touch is to turn on all the lights, the second touch is to turn on only the front light, the third touch is to turn on only the back light, and the touch again turn off all the lights, and so on.
- Press and hold the button to adjust the brightness when the mirror is on.
- If there is no operation within 15 seconds, touching this button will directly turn off the lights.

#### Button 2

- Briefly touch the button to change the color temperature among the 3000K, 4500K and 6000K when the light is on.
- Press and hold the button to change the color temperature steplessly .

#### Button 3

- The mirror begins to warm up and defog after you press the button and the defog indicator light will turn on.
- Press the button again to turn off the Anti-Fog function.
- Note: To prevent damage from prolonged high temperatures, the defogger will automatically stop after 60 minutes of continuous operation.