

# Legacy Installation Instructions



LEGACY	
SKU No.	Size
BVL-36	36
BVL-48	48
BVL-60	60

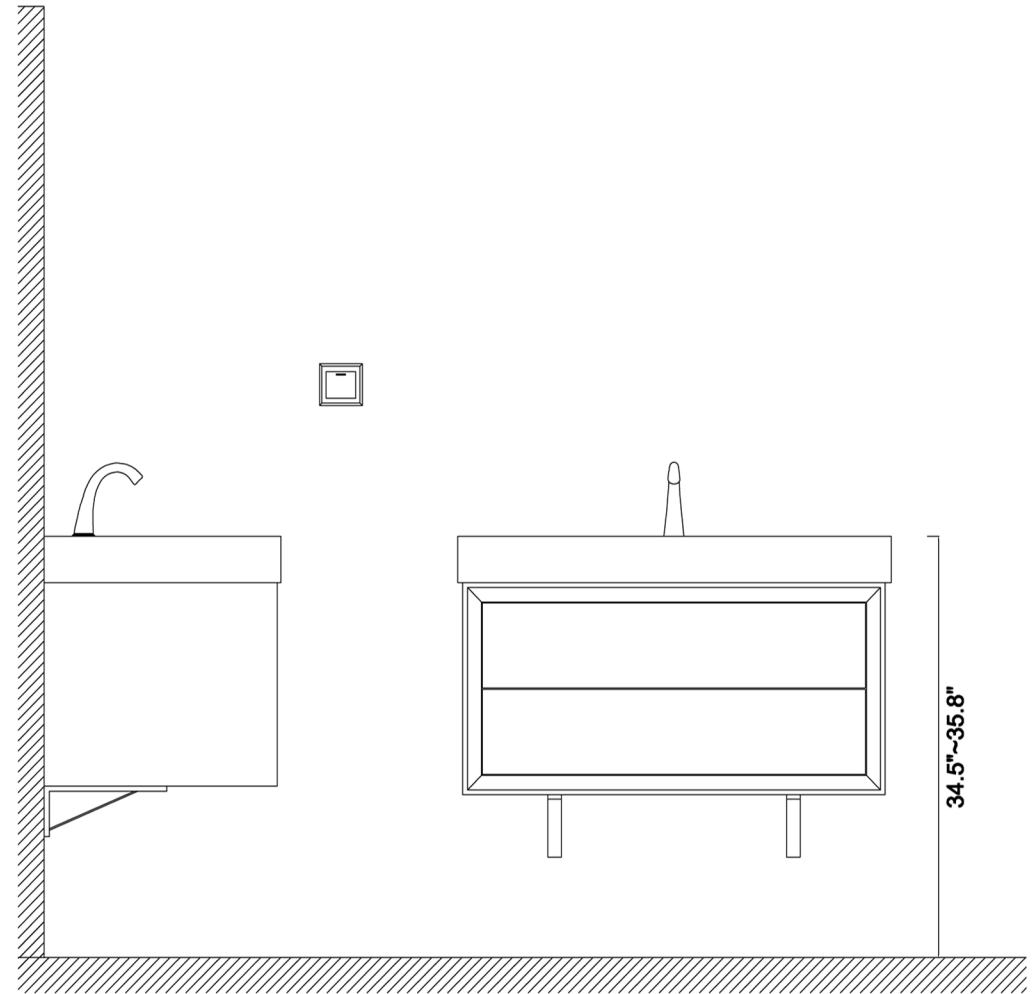
□ Prior to installation please check received items against the Packing List .If any part is missing or damaged, please do not return the product to the store and contact us;

Call: (302)336-8180

Email: [vanityinservice@gmail.com](mailto:vanityinservice@gmail.com)

□ Protect all surfaces from sharp objects , high heat sources,direct prolonged sunlight and chemical hazards .

□ Professional installation is recommended !

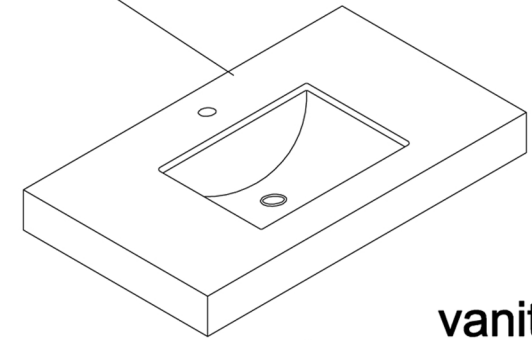


## NOTE

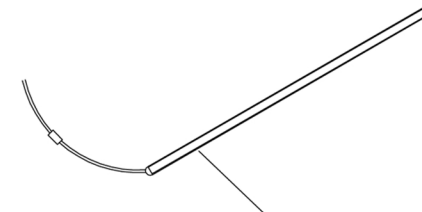
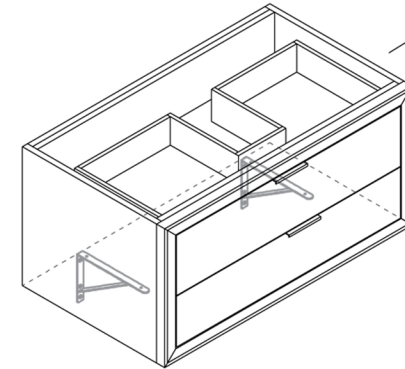
1. Ceramic sink: cUPC certified.
2. LED light :
  - a. The LED light is replaceable, if it is damaged, please contact us ;  
Call: (302)336-8180  
Email: vanityinservice@gmail.com
  - b. LED light should be connected to the wall switch for turning on/off.
  - c. UL certified & IP67 for water proof.



Marble top with ceramic sink

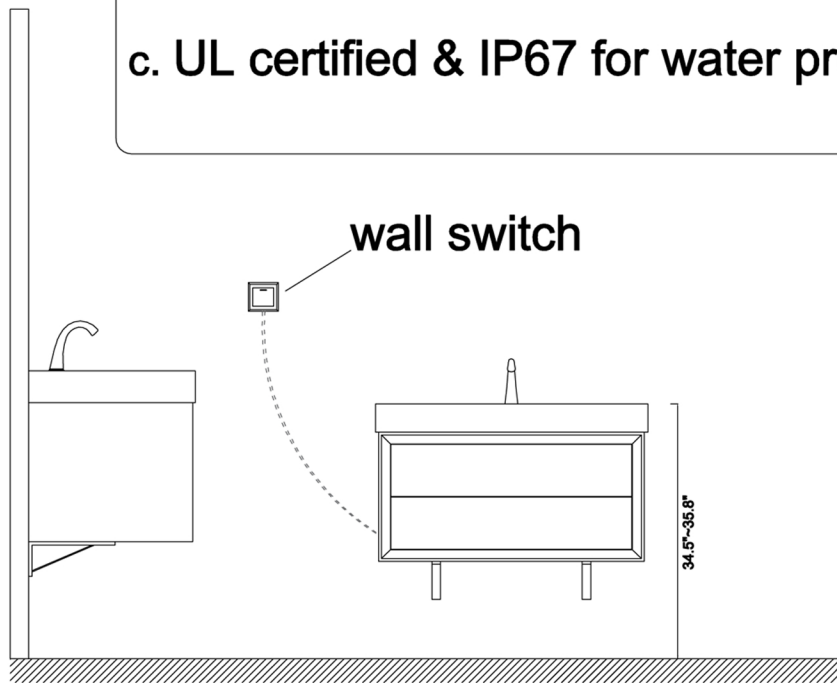


vanity



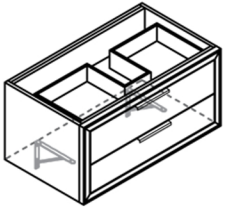
LED light

Provides infinite adjustability for customized brightness, and temperature can be infinitely adjusted from 3000K (Warm) to 6000K (Cold)

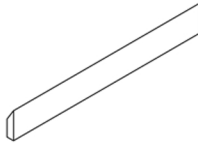


## PACKING LIST

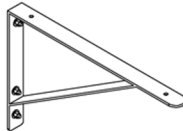
**A Main Vanity**  
1 PC



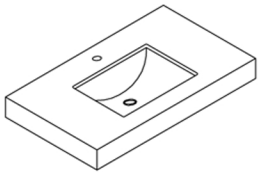
**B Wood Cleat**  
1 PC



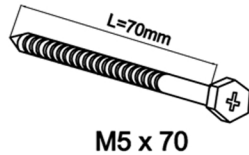
**C Metal Bracket**  
2 PCS



**D TOP**  
1 PC



**E Wood Screw**  
8 PCS



**F Metal Bracket Screw**  
Handle Screw

36": 10pcs  
48"S: 18pcs  
48"D: 16pcs  
60": 18pcs



**G Wall Anchor**  
8 PCS

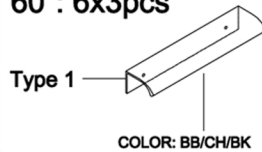


**H Metal Washers**  
4 PCS



**I Handle**

36": 2x3pcs  
48"S: 6x3pcs  
48"D: 4x3pcs  
60": 6x3pcs



## TOOLS REQUIRED

**Drill Bits**



**Screw Driver**



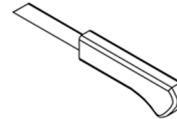
**Drill**



**Level**



**Knife**



**Glove**



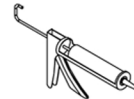
**MASONRY DRILL BIT FOR TILE** Ø3/8" (8mm)



**Safety Glasses**



**Silicone**



**Measuring Tape**



**Soft Head Hammer**



**Pencil**

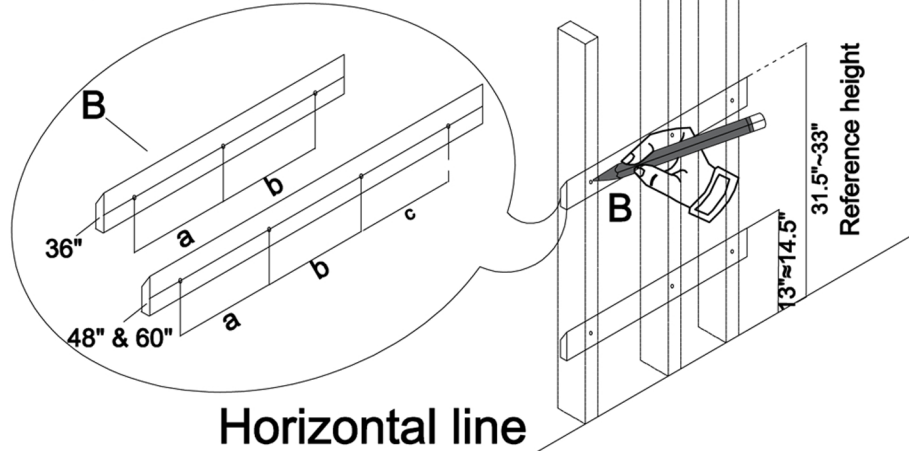


- STEP 1:**
- Use a wood stud finder to locate the wood studs behind the walls , and then mark by pencil.
  - Use a pencil to mark the installation location on the **Wood Cleat (B)** , according to the Wood stud's location.
  - Use a level to ensure the **Wood Cleat (B)** will be level before installing to the wall.

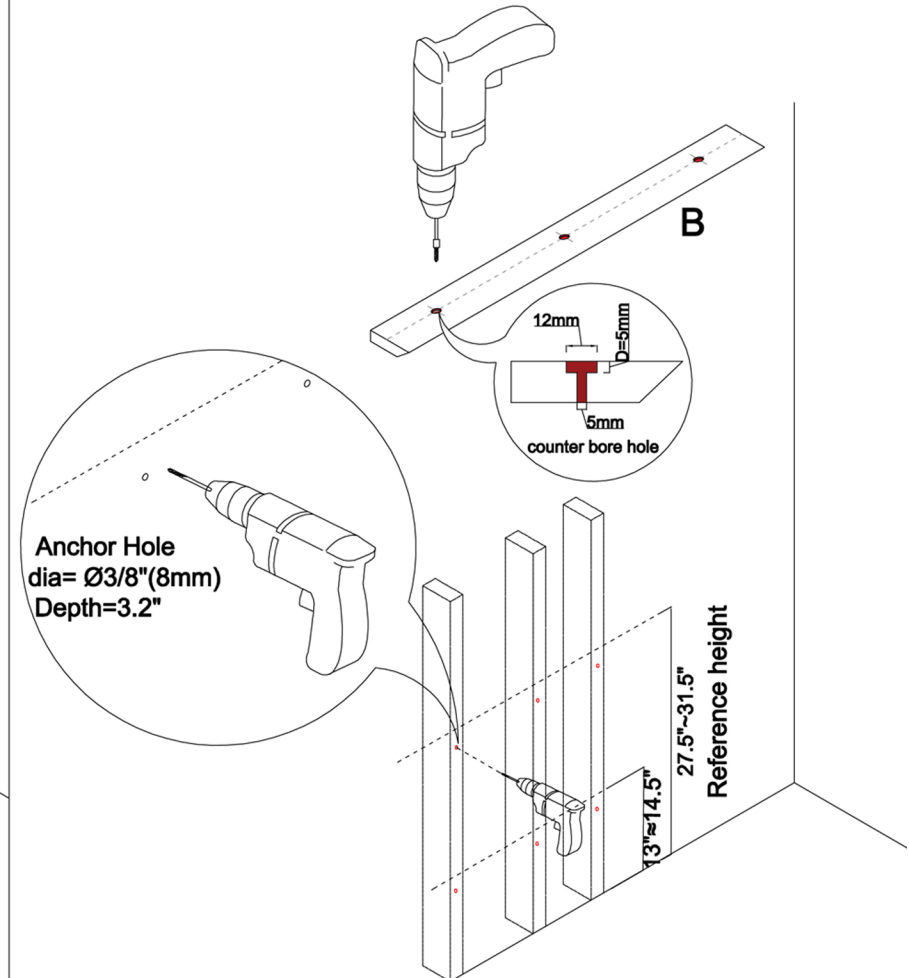
**NOTE** Make sure the screw holes must be on the wood studs otherwise the vanity will fall out because the dry wall cannot hold the cabinet.

vanity	hole	a	b	c
36"	3	12"	12"	-
48"	4	12"	12"	12"
60"	4	12"	24"	12"

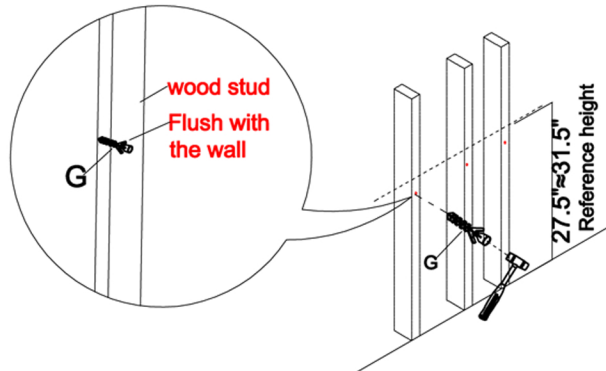
**NOTE:** The a/b/c value is for reference only , please according to the Wood stud's location.



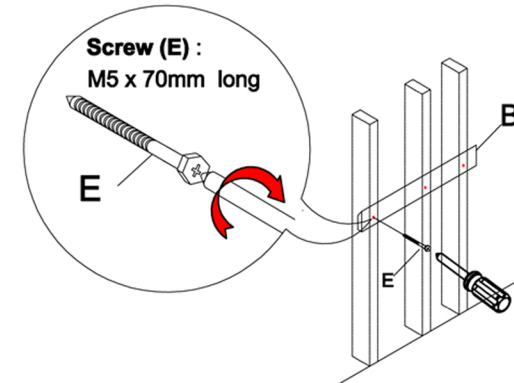
- STEP 2:** Drill the holes according to the marks using a drill.



**STEP 3:** Install the **Wall Anchors (G)** provided into the wall with hammer.

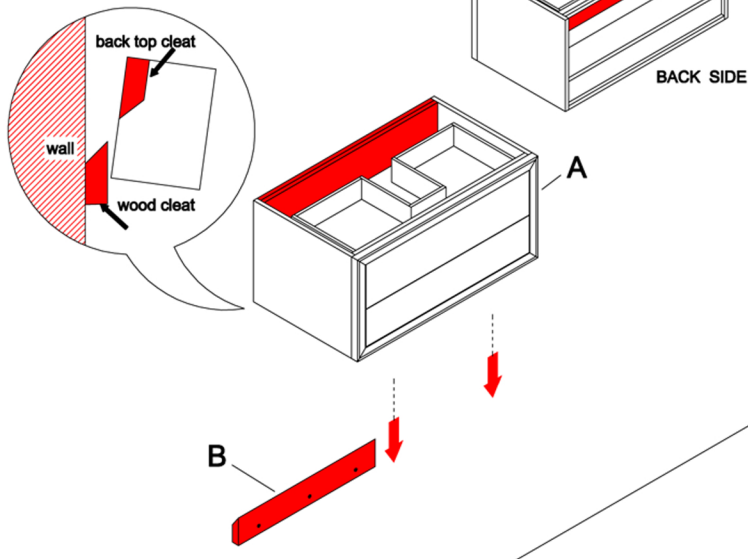


**STEP 4:** Install the **Wood cleat (B)** to the wood studs by screw driver.



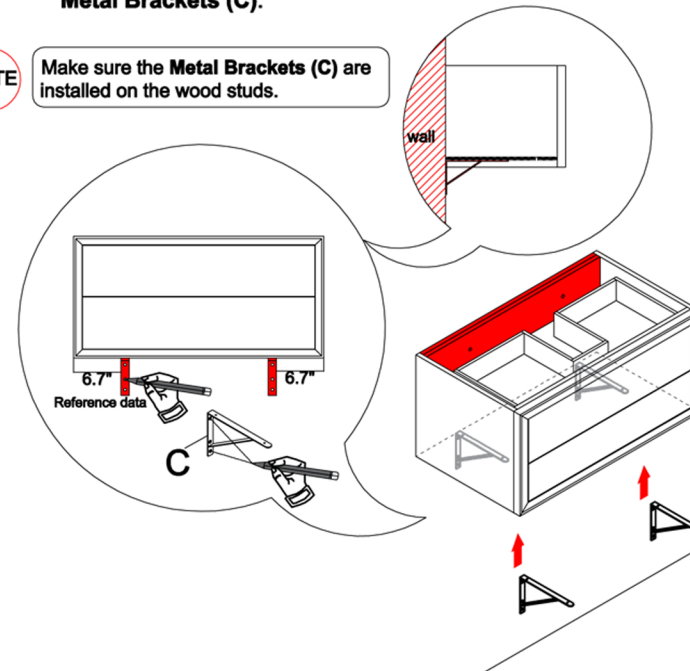
**STEP 5:** With help from another person, carefully hang the **Vanity (A)** onto the **Wood Cleat (B)**.

**NOTE** When installing the **Wood Cleat (B)** make sure the angle cut is facing the wall.

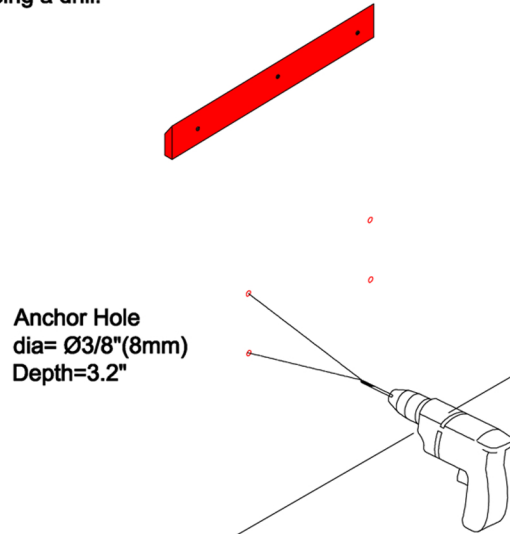


**STEP 6:** Using a pencil to mark the installation location for the **Metal Brackets (C)**.

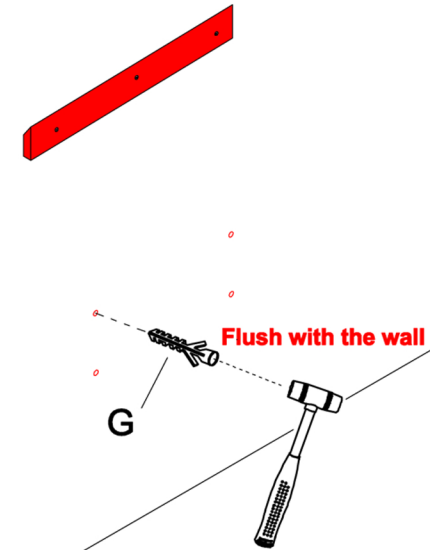
**NOTE** Make sure the **Metal Brackets (C)** are installed on the wood studs.



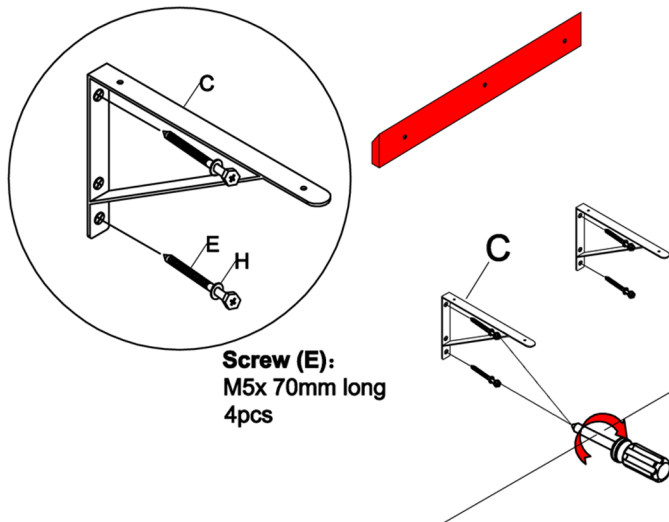
**STEP 7:** Carefully remove the **Vanity (A)** with the help from another person, and then drill the anchor holes according to the marks using a drill.



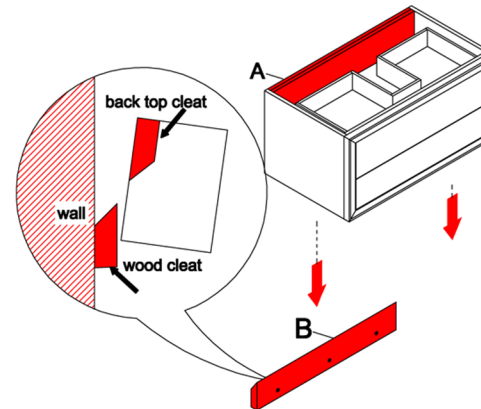
**STEP 8:** Install the **Wall Anchors (G)** provided into the wall with hammer.



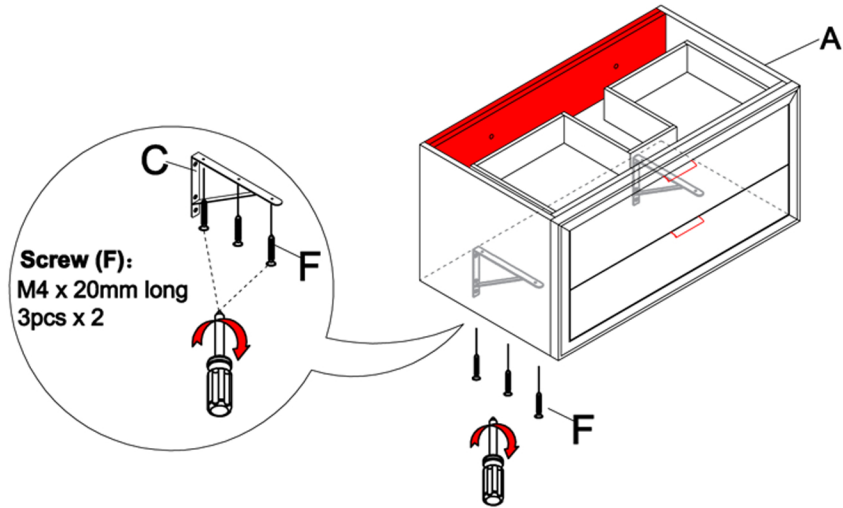
**STEP 9:** Install the **Metal Bracket (C)** to the wood studs by screw driver.



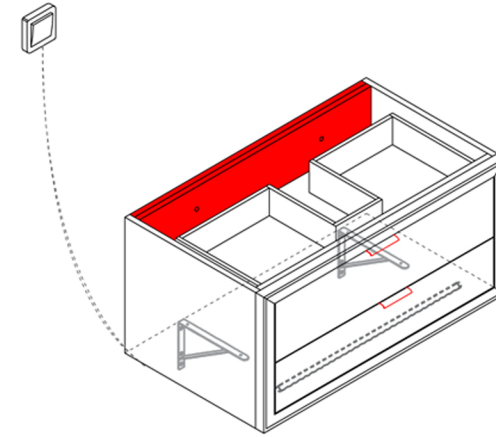
**STEP 10:** Hang the **Vanity (A)** to the wall and then connect the **Vanity (A)** to the **Wood Cleat (B)**.



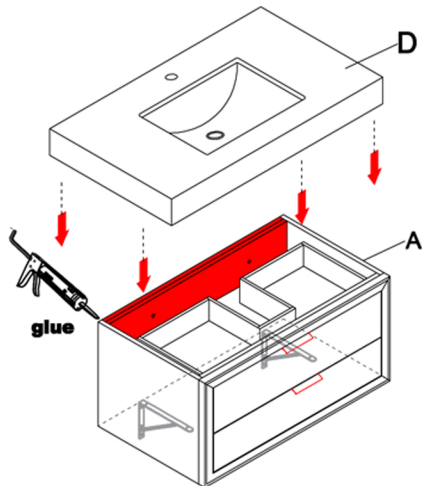
STEP 11: Connect the Metal Bracket (C) to the Vanity (A) with Screws (F).



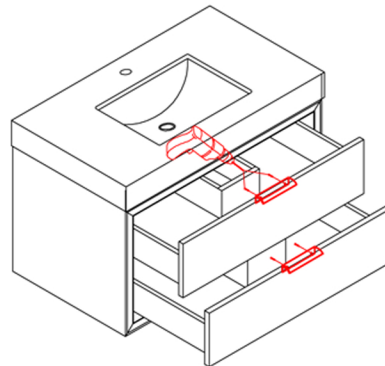
STEP 12: Connect the electrical wire to the wall switch for turning on/off.



STEP 13: Apply the silicon to the top of the Vanity (A) and then install the Top (D) onto the Vanity (A) with the help from another person.



STEP 14: You can choose whether to replace other colors according to your preference



STEP 15: Let the vanity sit for 24 hours before use.

